

## Cabinet "U" handles

Aluminum

### SPECIFICATION

#### Types

- Type **A**: closed type
- Type **B**: open ended type, mounting from the back (threaded blind bore)
- Type **C**: open ended type, mounting from the operator's side

Aluminium

plastic coated

black, RAL 9005, textured finish **SW**

silver, RAL 9006, textured finish **SR**

Cap (type C)

Plastic

black for SW

light grey for SR

### INFORMATION

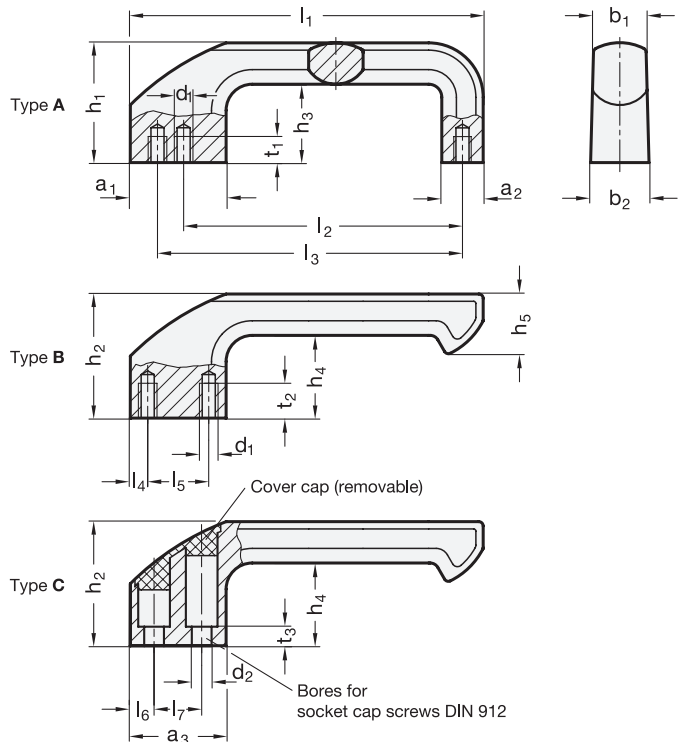
A special characteristic of the Handle GN 559 is the thumb rest pad on the front of the leg.

At the same time the extended leg offers an open ended version with wide access.

Handles GN 559 are known for their high stability. They are fixed by two M8 screws whereby type A offers two alternative hole centers ( $l_2$  or  $l_3$ ).

### TECHNICAL INFORMATION

- Load rating information (see page A35)



\* Complete with colour index of the Cabinet "U" handles (SW or SR)

SW SR  
RAL9005 RAL9006

### GN 559

Description	$l_1$ $\pm 0.25$	$a_1$	$a_2$	$a_3$	$b_1$	$b_2$	$d_1$	$d_2$	$h_1$	$h_2$	$h_3$	$h_4$	$h_5$	$l_2$	$l_3$ $\pm 0.2$	$l_4$	$l_5$	$l_6$	$l_7$	$t_1$ min.	$t_2$ min.	$t_3$	$\Delta$
GN 559-162-A-*	162	38	19	-	25	28	M 8	-	55	-	36	-	-	128	140	-	-	-	-	12	-	-	254
GN 559-162-B-*	162	-	-	40	25	28	M 8	-	-	57	-	38	28	-	-	8	22	-	-	-	16	-	237
GN 559-162-C-*	162	-	-	40	25	28	-	8.3	-	57	-	38	28	-	-	-	-	10	20	-	-	8	223